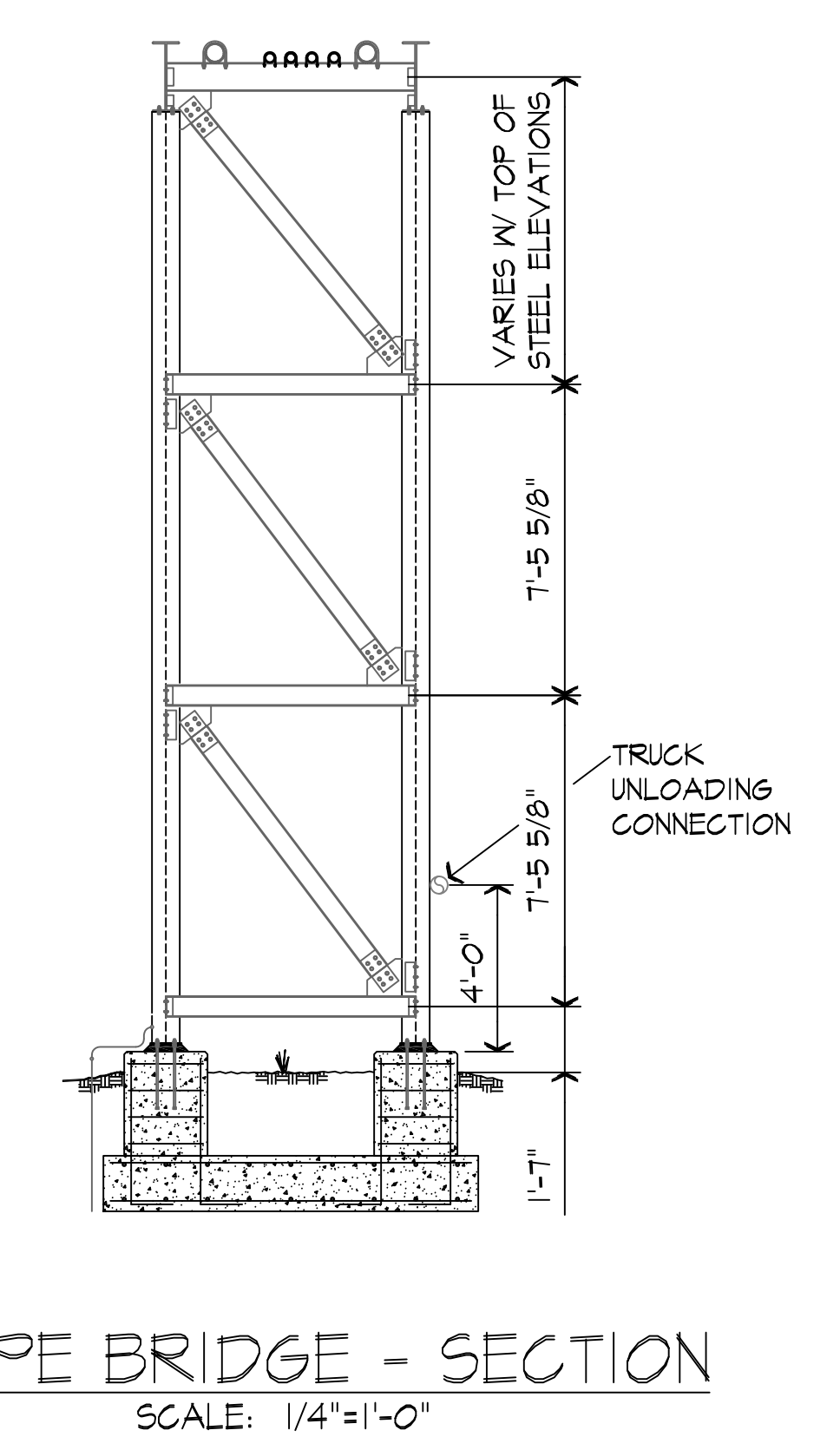
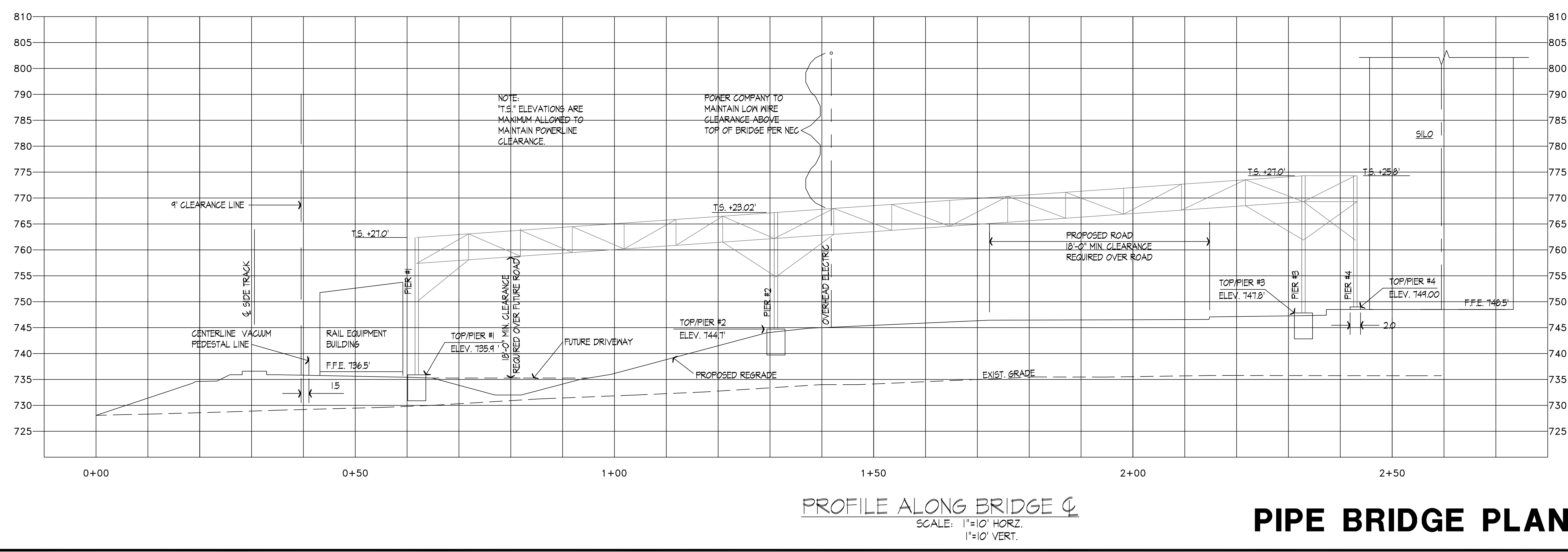
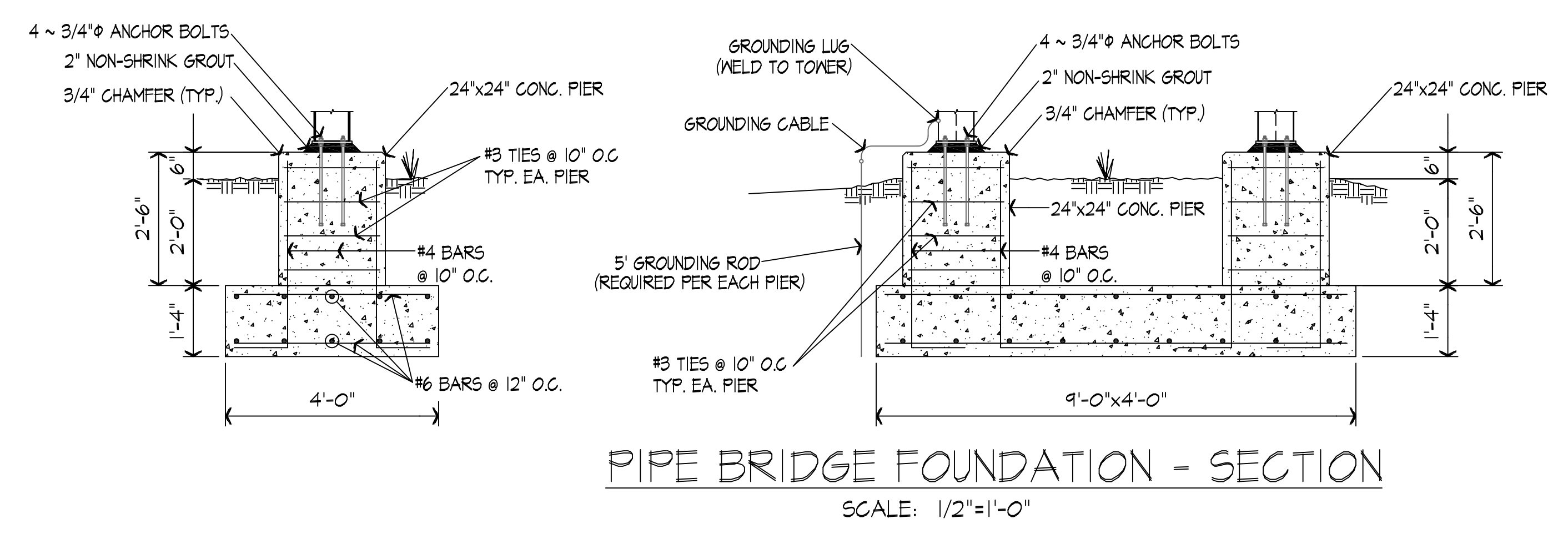
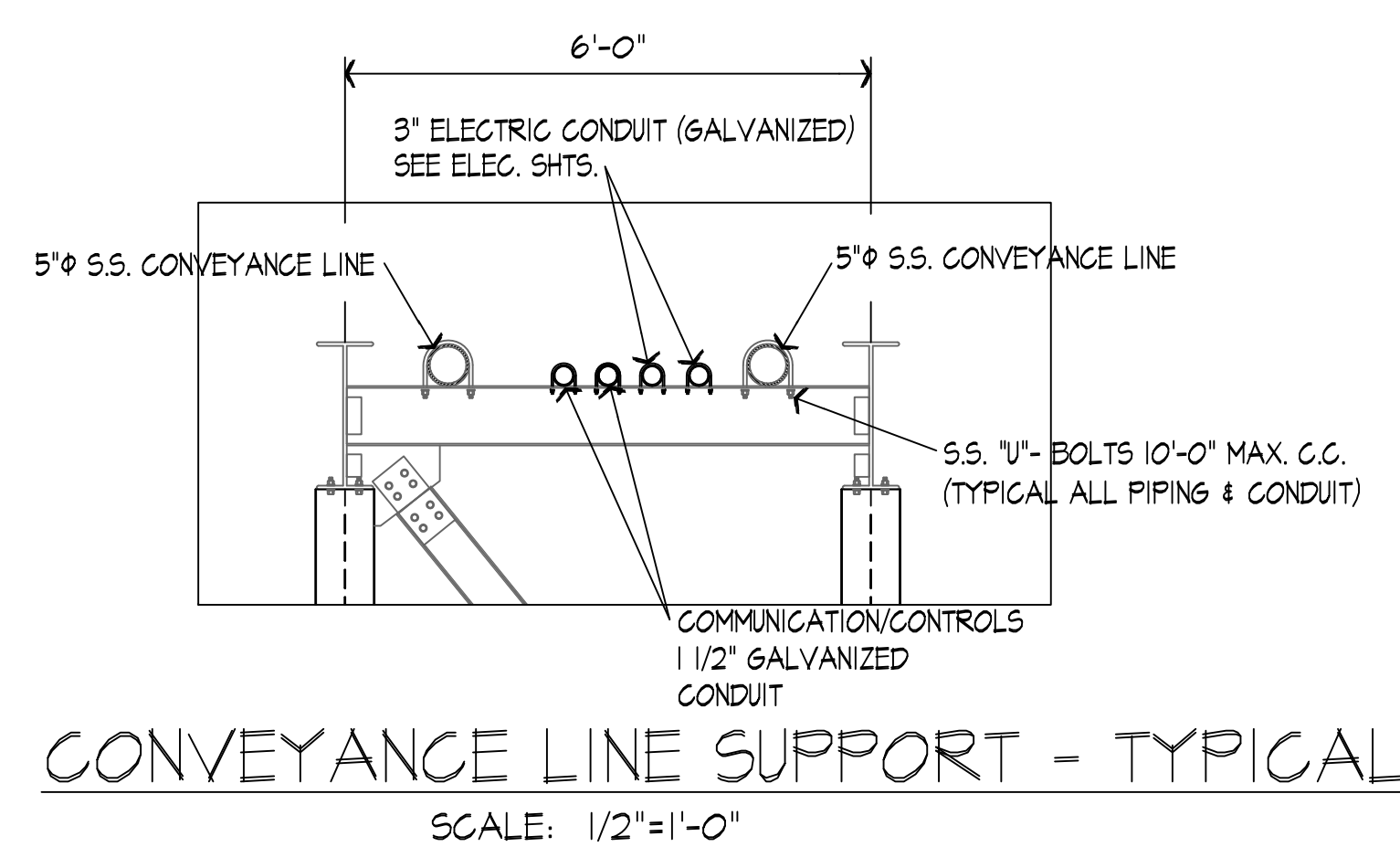


-PLAN-
CONVEYANCE LINE BRIDGE
SCALE: 1"=10'



PIPE BRIDGE PLAN, PROFILE & DETAILS

FLEXFILMS, U.S.A., LLC
1221 NORTH BLACK BRANCH ROAD
ELIZABETHTOWN, KENTUCKY 42702

PROJECT L-12 BOPET U.S.A.

| DATE | REVISION | BY | A.C. |
|---------|--------------------|----|------|
| 10-2011 | POST BID REVISIONS | | |

PROJECT NO. 8924-02
DESIGNED BY GAR
DRAWN BY GVS
CHECKED BY GAR
REVIEWED BY
DATE JULY 2011
SCALE AS NOTED

MS&P OF KENTUCKY, INC.
Engineers
Architects
Planners

624 Wellington Way
Lexington, KY 40503
Phone: (859)223-5884
Fax: (859)223-2887
www.msandp.com

DRAWING NO.
UFL-L12
C-107